



EPT 15 / SPT 15N

**Economic Power- Electric Pallet Truck
Compact and Reliable Design**

INTRODUCTION

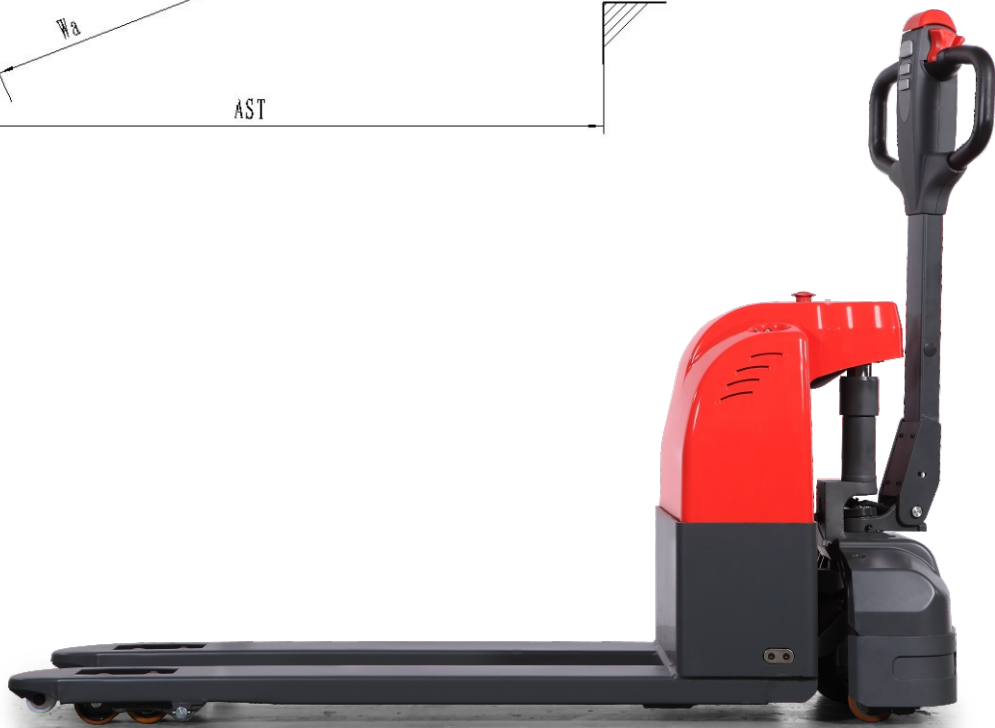
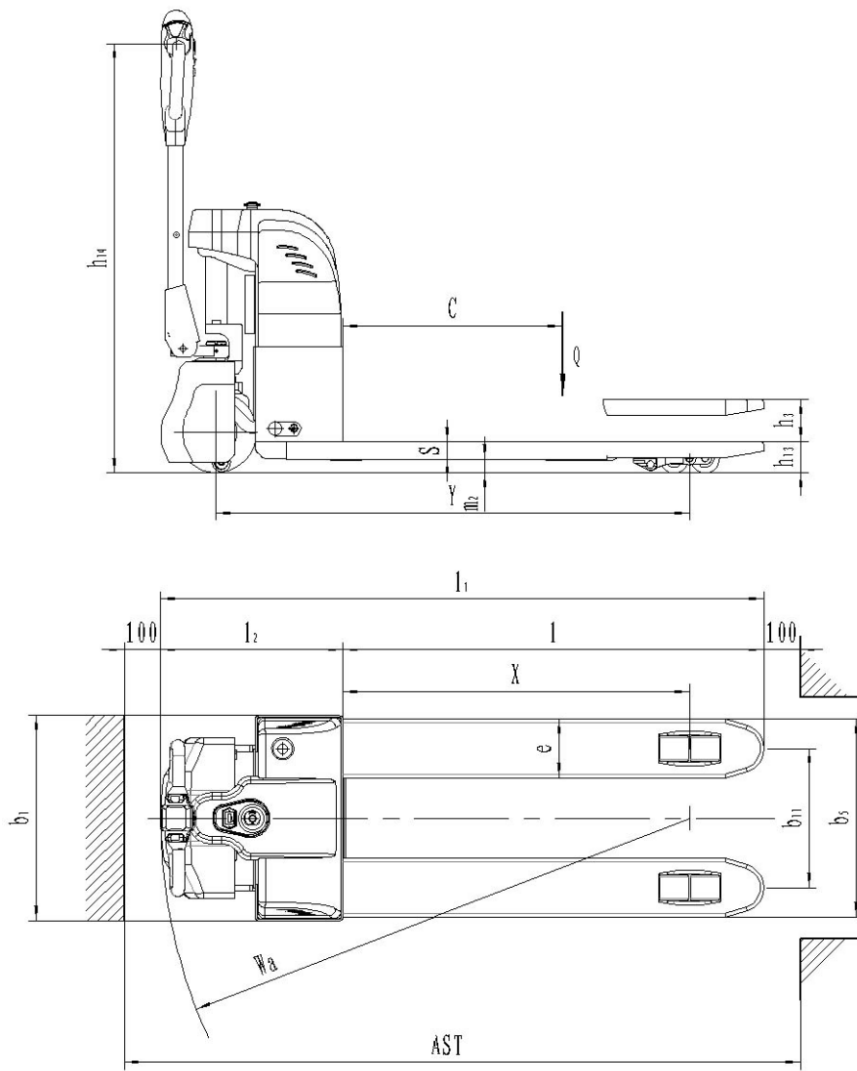
The EPT 15 / SPT 15N is an economic walkie-electric / semi-electric pallet truck, with rated capacity of 1500kg.

The compact and light design is suitable for a variety of low-duty applications in warehouses or delivery applications on lorries with tail lifts.

ADVANTAGES

- Ideal solution for low-duty applications.
- Built-in charger for high autonomy.
- Battery discharge indicator with automatic lift cut-off function for higher battery lifetime.
- Additional stabilization through stabilizers.

PARAMETERS



Type sheet for industrial truck acc. to VDI 2198

1KG=2.2LB 1INCH=25.4MM

Distinguishing mark	1.2	Manufacturer's type designation		EPT 15		SPT 15N	
	1.3	Drive		Battery			
	1.4	Operator type		Pedestrian			
	1.5	Load Capacity / rated load	Q (t)	1.5			
	1.6	Load centre distance	c (mm)	600			
	1.8	Load distance ,centre of drive axle to fork	x (mm)	946			
	1.9	Wheelbase	y (mm)	1293		1279	
Weight	2.1	Service weight	kg	190	200	165	175
	2.2	Axle loading, laden front/rear	kg	510/1180	560/1140	458/1207	480/1195
	2.3	Axle loading, unladen front/rear	kg	150/40	160/40	130/35	140/35
Tyres, chassis	3.1	Tires		Polyurethane (PU)			
	3.2	Tire size, front	Øx w (mm)	Ø220×70			
	3.3	Tire size, rear	Øx w (mm)	Ø80×70	Ø80×93	Ø80×70	Ø80×93
	3.4	Additional wheels(dimensions)	Øx w (mm)	Ø50×30			
	3.5	Wheels, number front/rear(x=driven wheels)		1×+2/4	1×+2/2	1×+2/4	1×+2/2
	3.6	Tread, front	b10 (mm)	340			
	3.7	Tread, rear	b11 (mm)	380			
Dimensions	4.4	Lift	h3 (mm)	115		115	
	4.9	Height of tiller in drive position min./ max.	h14 (mm)	800/1170		850/1295	
	4.15	Height, lowered	h13 (mm)	85	80	85	80
	4.19	Overall length	l1 (mm)	1648	1718	1666	1736
	4.20	Length to face of forks	l2 (mm)	498		516	
	4.21	Overall width	b1 (mm)	560	705	560	705
	4.22	Fork dimensions	s/e/l (mm)	48/160/1150	48/160/1220	48/160/1150	48/160/1220
	4.25	Distance between fork- arms	b5 (mm)	540	685	540	685
	4.32	Ground clearance, centre of wheelbase	m2 (mm)	37	32	37	32
	4.34	Aisle width for pallets 800X1200 lengthways	Ast (mm)	1950		1961	
	4.35	Turning radius	Wa (mm)	1445		1507	
Performance data	5.1	Travel speed, laden/ unladen	km/h	4.2/4.6		4.2/4.6	
	5.2	Lift speed, laden/ unladen	mm/s	30/53		-	
	5.3	Lowering speed, laden/ unladen	mm/s	49/36		-	
	5.8	Max. gradeability, laden/ unladen	%	4/10		4/10	
	5.10	Service brake		Electromagnetic			
Electric- Motor	6.1	Drive motor rating S2 60min	kW	0.45		0.45	
	6.2	Lift motor rating at S3 10%	kW	0.8		-	
	6.3	Battery acc. to DIN 43531/ 35/ 36 A, B, C, no		no		no	
	6.4	Battery voltage, nominal capacity K5	V/ Ah	2x12V/64		2x12V/38	
	6.5	Battery weight	kg	48kg		30kg	
	6.6	Energy consumption acc. to VDI cycle	kWh/h	0.39		-	
Additional data	8.1	Type of drive control		DC-Speed – Control			
	8.4	Sound level at driver's ear acc. to EN 12053	dB(A)	69		69	

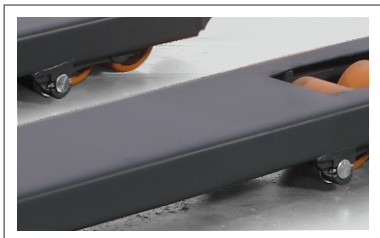
KEY FEATURES



- 1 The built-in charger makes operations more autonomy and increases the operating range.



- 2 Additional entry rollers ensure easy pallet entry and preventing possible damages.



- 3 Robust chassis with reinforced fork-structure (7mm together)



- 4 Proofed and ergonomic emergency button and discharge indicator, more robust and reliable than other. The included automatic battery protection ensures high lifetime for the batteries

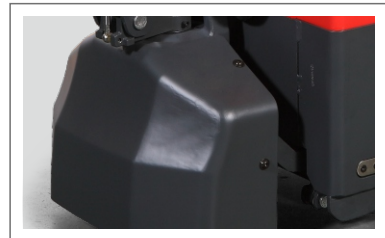
- 5 Proofed components such as sensors micro-switches and controller, and hydraulic units from international brands.

- 6 Fulfilling the actual valid European standards, also in ISO 13849, performance level.

- 7 Proofed components such as sensors, micro-switches, controller and hydraulic power- pack from international brands.



- 8 EPT 15: 2x12V 64Ah (option 85Ah)
SPT 15: 2X12V 40Ah (option 64Ah)
powerful maintenance-free batteries



- 9 Motor and wheel protection out of robust metal. Also gives perfect foot protection.

- 10 Sideways castors ensure higher stability and prevent floors from damages.

NOBLIFT

NOBLELIFT CHINA

Add: No. 528, Jing Yi Road Economic Development Zone,
Changxing zhejiang China PC: 313100
Tel: 86-572-6210776 6210788 Fax: 86-572-6210777 6128612
www.noblelift.com Email: info@noblelift.com

NOBLELIFT EUROPE GMBH Spare Parts Center

Add: Borsigstrae 9D-93092 Barbing Germany
Tel: +49 9401 607930 Fax: +49 9401 6079329
www.noblelifteurope.com Email: inter@noblelifteurope.com

AMERICAN NOBLELIFT CORP.

Add: 1810 S. Milliken Ave., Ontario, CA 91761, USA
Tel: +1 909 390 6258 Fax: +1 909 390 5114
Toll Free #: (888) 662-5354
www.nobleliftus.com Email: info@nobleliftus.com

SPARE PARTS CENTER

Borsigstrae 9D-93092 Barbing Germany
Tel: +49 (0) 9401 911 330 Fax: +49 (0) 9401 911 3329
Email: parts@noblelifteurope.com